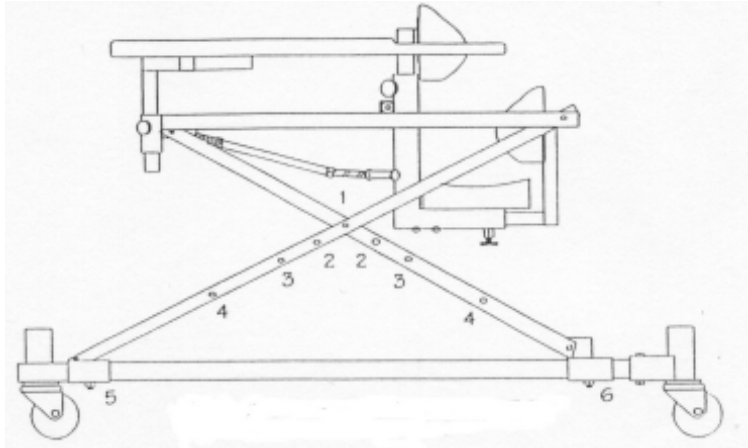


MINI POMMEL WALKER Adjustment Chart

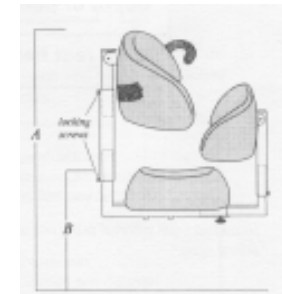
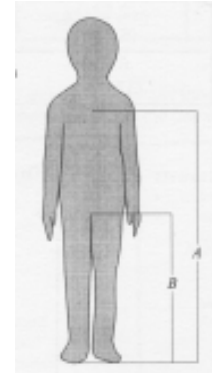


To change to a new position:

- Lie walker on its side
- Loosen 5 & 6
- Remove link bolt
- Re-position and tighten 5 & 6 and link bolt

Measurement in INCHES

Position Number	1	2	3	4
Pommel Height (B)	5.5 to 9.5	7.5 to 12.5	10.5 to 15.5	13.5 to 18.5
Tray Height	13 to 17	16 to 20	19 to 23	22 to 26
Chest Pad Height (front) (A)	18 to 22	21 to 25	24 to 28	27 to 31



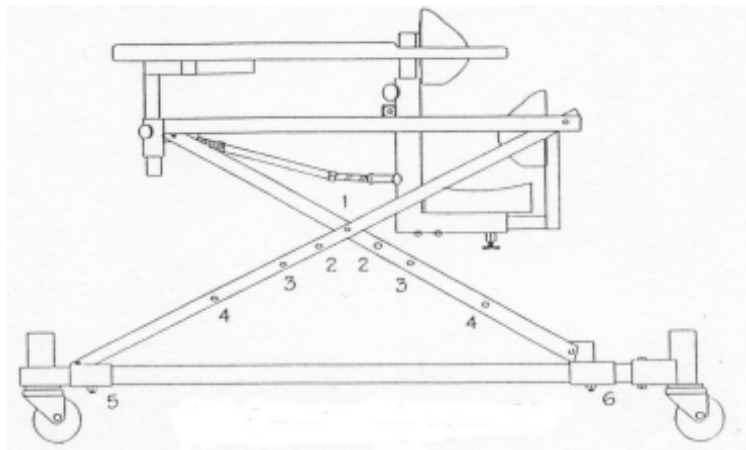
A is measurement from mid-sternum to floor

B is measurement from crotch to floor

To adjust the pommel and chest pad height:

1. Loosen the locking screws or knobs on the front of the pommel stem (see figure at left)
2. Move the pommel and chest pad up or down to the required position.
3. Tighten the screws and knobs securely.

MINI POMMEL WALKER Adjustment Chart

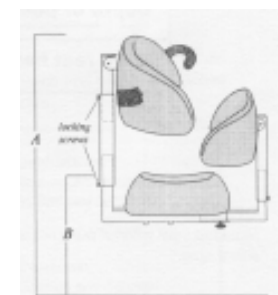
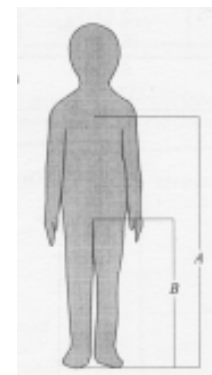


To change to a new position:

- Lie walker on its side
- Loosen 5 & 6
- Remove link bolt
- Re-position and tighten 5 & 6 and link bolt

Measurement in INCHES

Position Number	1	2	3	4
Pommel Height (B)	5.5 to 9.5	7.5 to 12.5	10.5 to 15.5	13.5 to 18.5
Tray Height	13 to 17	16 to 20	19 to 23	22 to 26
Chest Pad Height (front) (A)	18 to 22	21 to 25	24 to 28	27 to 31



A is measurement from mid-sternum to floor

B is measurement from crotch to floor

To adjust the pommel and chest pad height:

1. Loosen the locking screws or knobs on the front of the pommel stem (see figure at left)
2. Move the pommel and chest pad up or down to the required position.
3. Tighten the screws and knobs securely.

The pommel walker is designed as a walking aid for children who are unable to walk without support.

It is recommended that this product be used under the direction of a physiotherapist or occupational therapist.

Please save these instructions for future use.

MANUFACTURED BY:



633 Wellington Crescent
Winnipeg, MB R3M 0A8
Phone (204) 452-4311
Fax: (204) 477-5547

The pommel walker is designed as a walking aid for children who are unable to walk without support.

It is recommended that this product be used under the direction of a physiotherapist or occupational therapist.

Please save these instructions for future use.

MANUFACTURED BY:



633 Wellington Crescent
Winnipeg, MB R3M 0A8
Phone (204) 452-4311
Fax: (204) 477-5547

WARNINGS

- Ensure the environment is safe before using.
- Never leave child unattended.
- Do not use as a transportation device.
- Inspect walker daily for loose, broken or missing parts.
- DO NOT USE if there are loose, broken or missing parts.
- DO NOT USE if the product feels unsafe.
- Contact service provider or qualified service technician when repairs or service are required.
- Failure to follow these instructions could result in serious injury.

WARNINGS

- Ensure the environment is safe before using.
- Never leave child unattended.
- Do not use as a transportation device.
- Inspect walker daily for loose, broken or missing parts.
- DO NOT USE if there are loose, broken or missing parts.
- DO NOT USE if the product feels unsafe.
- Contact service provider or qualified service technician when repairs or service are required.
- Failure to follow these instructions could result in serious injury.

MINI POMMEL WALKER



USERS GUIDE

MINI POMMEL WALKER



USERS GUIDE